

FIG. 10 "FIG. 10"

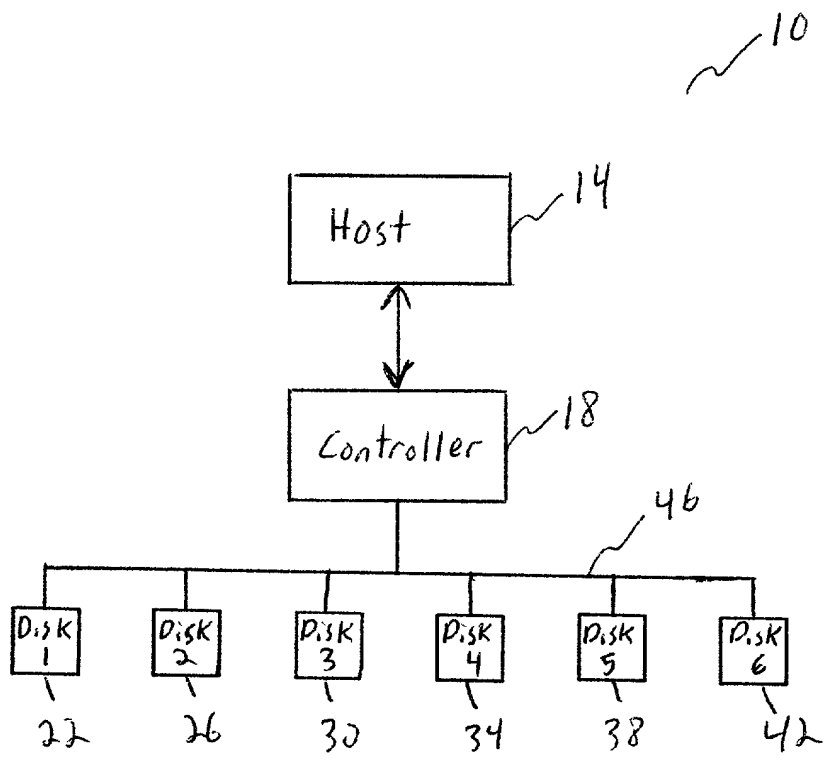


Fig. 1 (Prior Art)

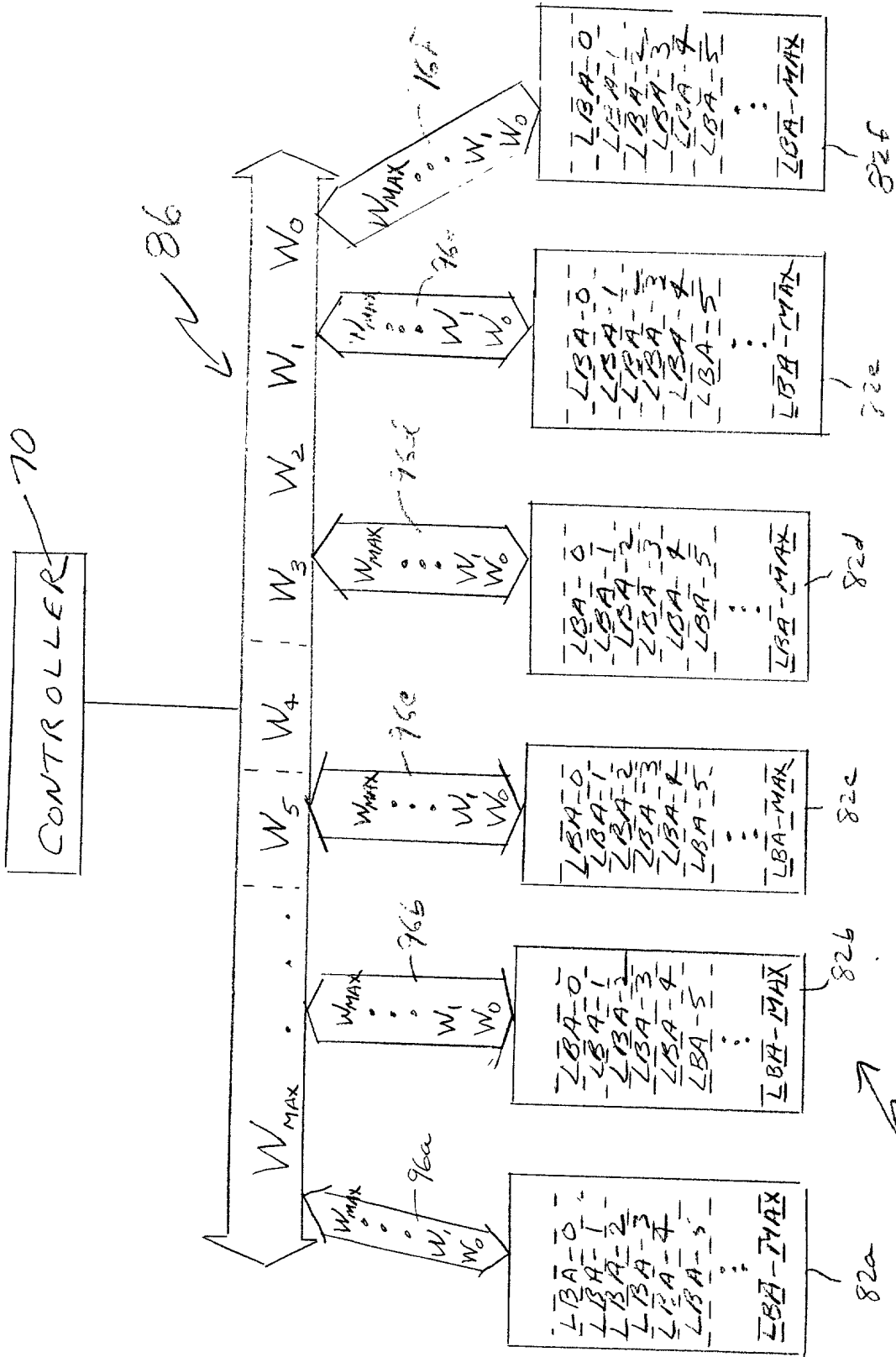


Fig. 2

78

FOR PUBLICATION

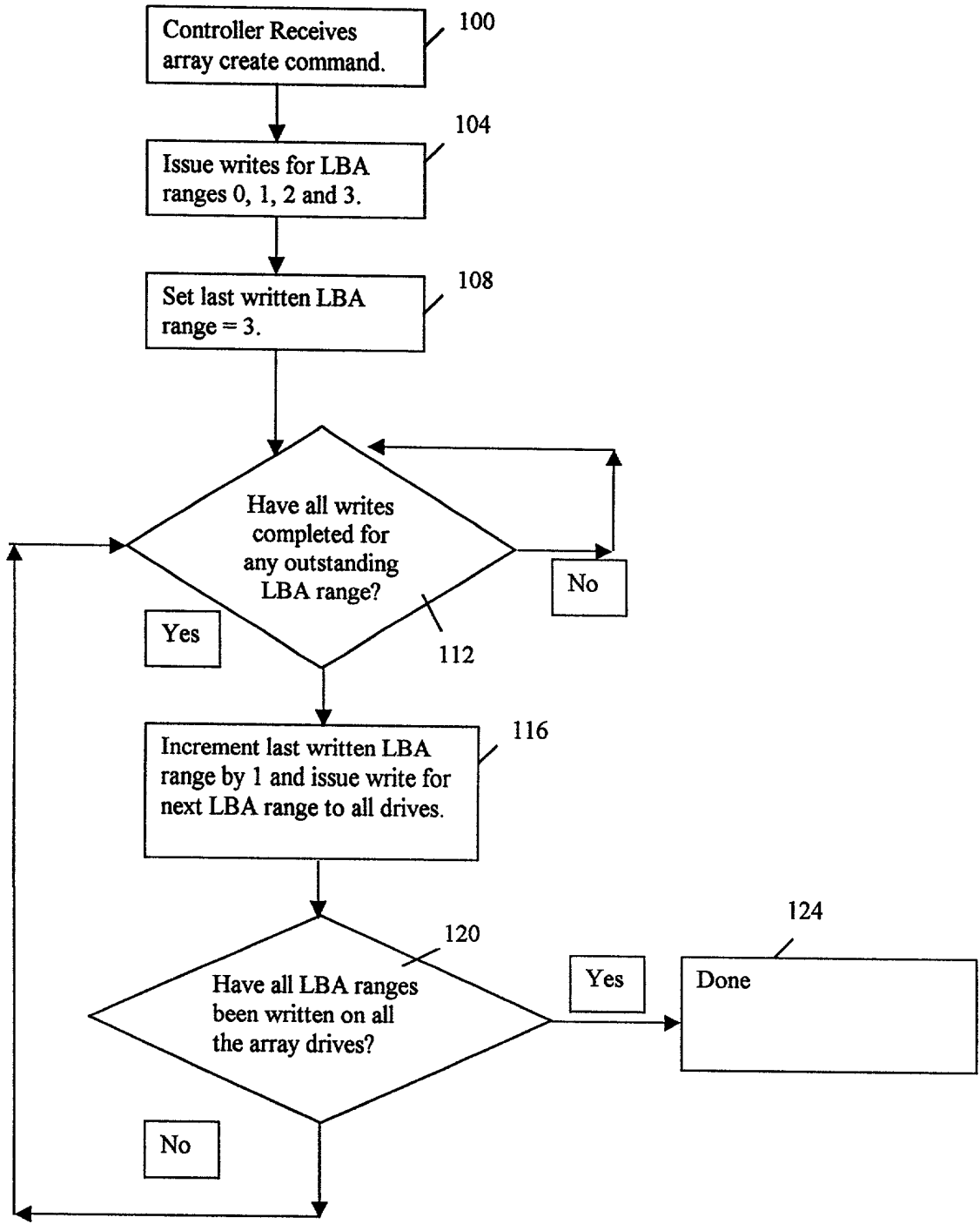


Fig. 3